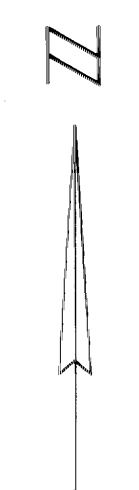


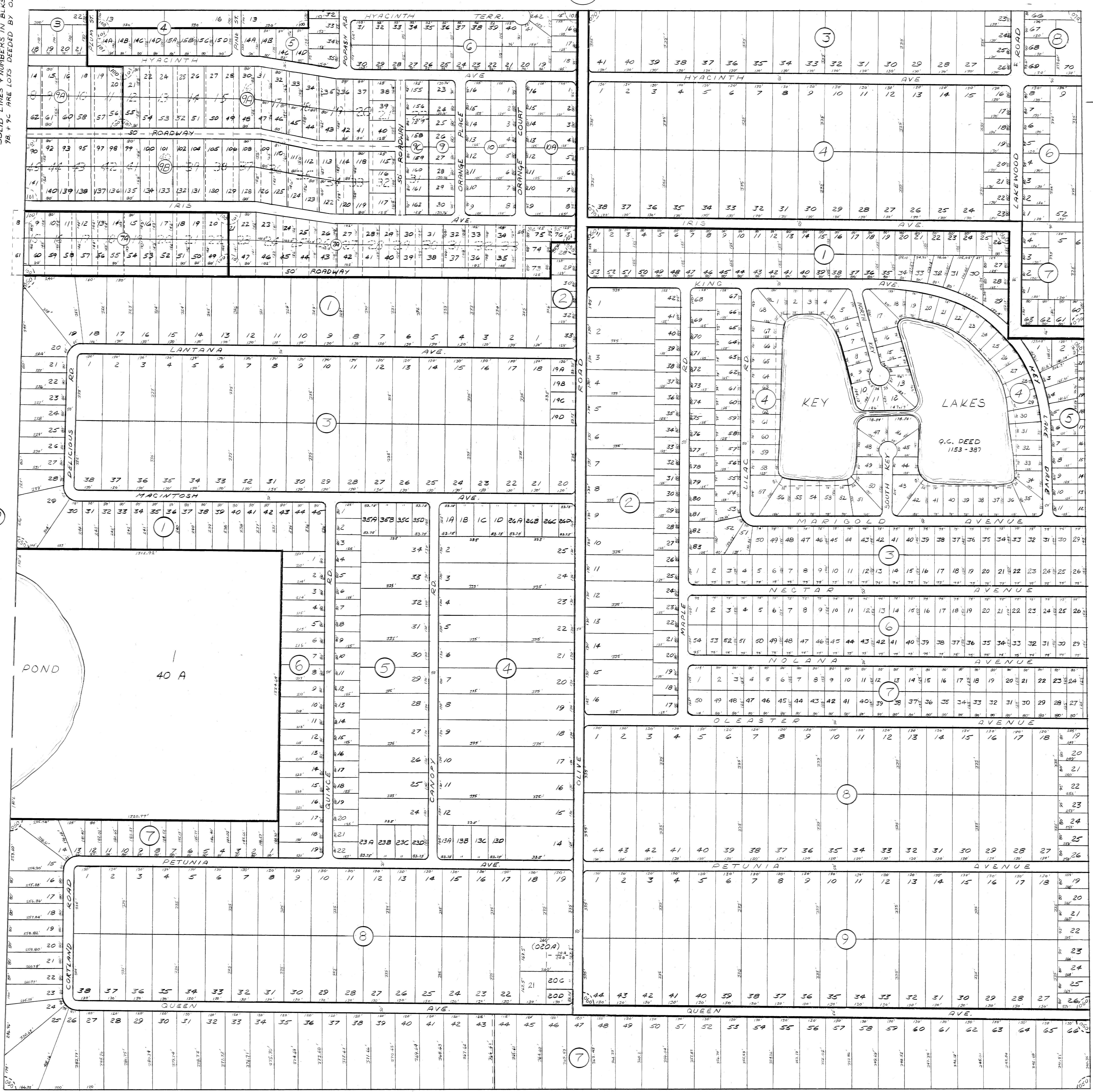
NOTE  
 DASH LINES + NUMBERS IN BLKS 7+9  
 ARE ORIG PLAT 6-51 + RALT 8-97  
 SOLID LINES + NUMBERS IN BLKS 7+9  
 78 + 9C ARE LOTS DEEDED BY O.A.S

49.C



SUBDIVISIONS

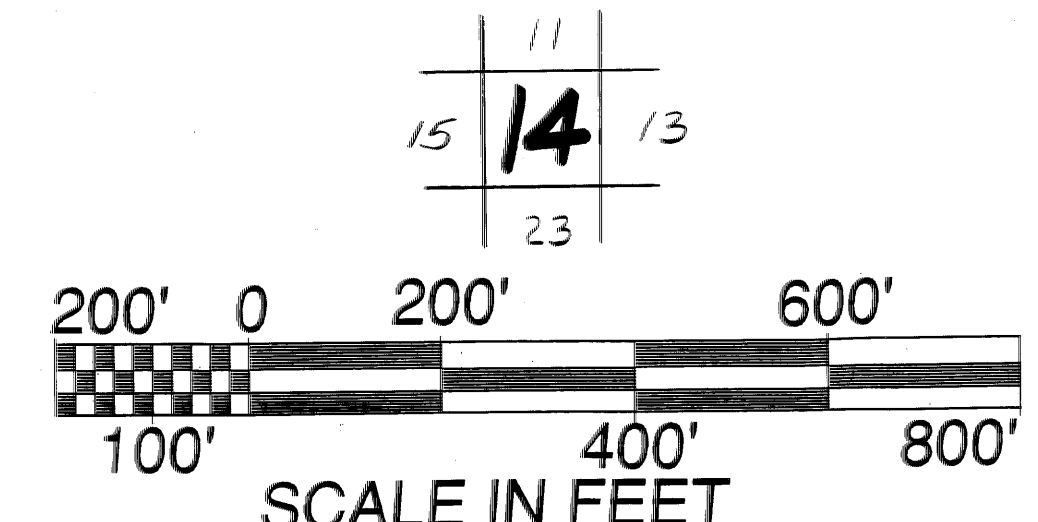
SUB NO	NAME	PB	PG
050	ORANGE BLOSSOM EST	5	6-40
060		6	6-35
070		7	6-26
100		10	6-51
101*	REPLAT PARTS OF 5-710		8-37
ALL UNDER SEC 24-35-28			



29-A

50-A

50.C



<b>HIGHLANDS COUNTY FLORIDA</b>		G.V. DRAWN	REVISIONS
SECTION 4		CHECKED	DESCRIPTION
TWP 35 S		DATE	DATE
RGE. 28 E		SCALE	50 B

NOTE: INFORMATION SHOWN HEREON WAS COMPILED FROM THE BEST AVAILABLE SOURCES AND IS NOT INTENDED FOR USE IN SURVEYS OR OTHER TRANSFERS OF ANY TYPE.